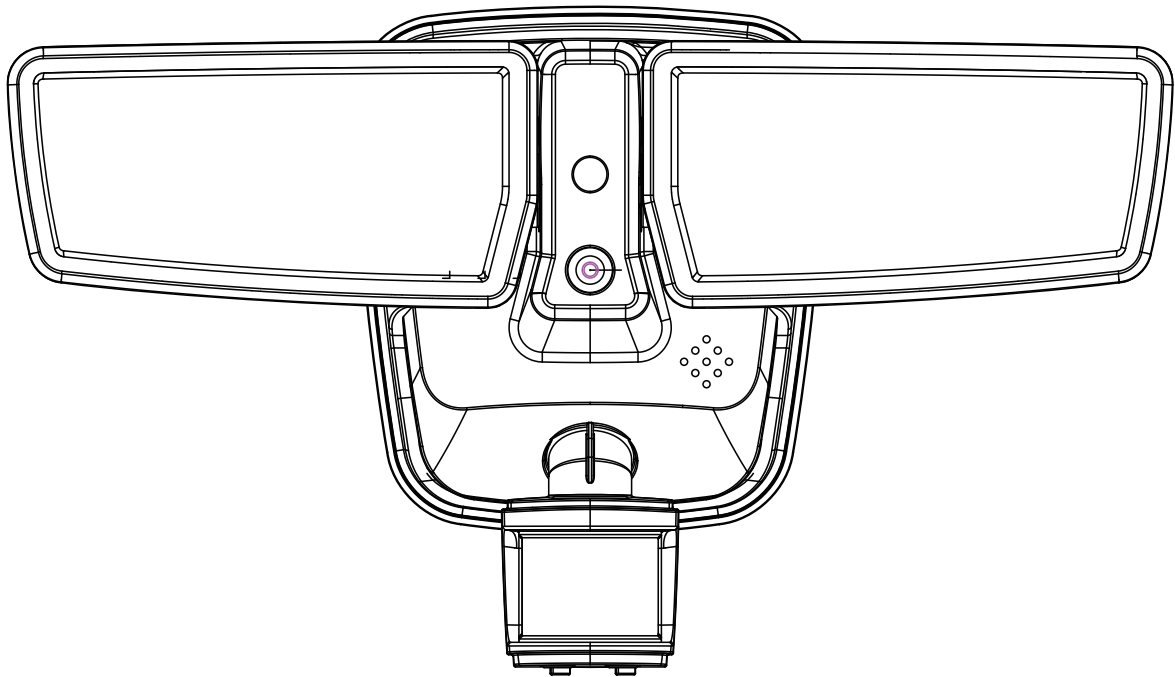


# CHALLENGER

## USE AND CARE GUIDE

---

### LED SECURITY FLOOD LIGHT



**Model SLFLED30T**

### Safety Instructions

#### PRECAUTIONS

- Please read and understand this entire manual before attempting to assemble, install, or operate this light fixture.
- This light fixture requires 220-240-Volt AC power source.
- The light fixture should be installed by a qualified electrician or competent person.
- This light fixture must be properly grounded.
- This light fixture should be installed outdoors to a wall .
- The light fixture should be mounted approximately 8 ft. (2.4 m) above the ground.

# Safety Information



**WARNING:** Turn the power off at the circuit breaker or fuse. Place tape over the circuit breaker switch and verify power is off at the light fixture.



**CAUTION:** To avoid water damage and the risk of electrical shock, the motion sensor controls must be facing the ground when the installation is complete.



**WARNING:** Risk of fire. Keep the lamp heads at least 2 in. (51 mm) from combustible materials.



**CAUTION:** Burn hazard. Allow the light fixture to cool before touching.

**NOTICE:** Do not connect this light fixture to a dimmer switch or timer.

# Pre-Installation

## PLANNING INSTALLATION

Before installing the light fixture, ensure that all parts are present. Compare parts with the *Hardware Included* and *Package Contents* sections. If any part is missing or damaged, do not attempt to assemble, install, or operate this light fixture.

## SPECIFICATIONS

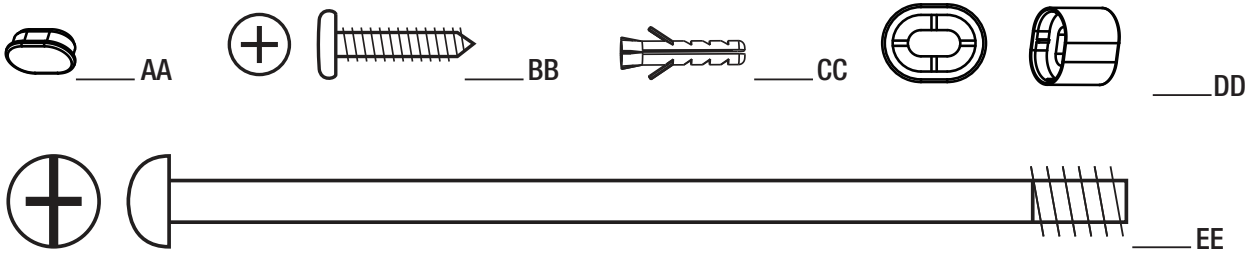
Range	Up to 12 m
Sensing angle	Up to 180°
Electrical load - LED	32 Watts
Lumens	2200
Power requirements	220-240 VAC, 50 Hz
Time adjustment	5 seconds-10 minutes

# Pre-Installation (continued)

## HARDWARE INCLUDED

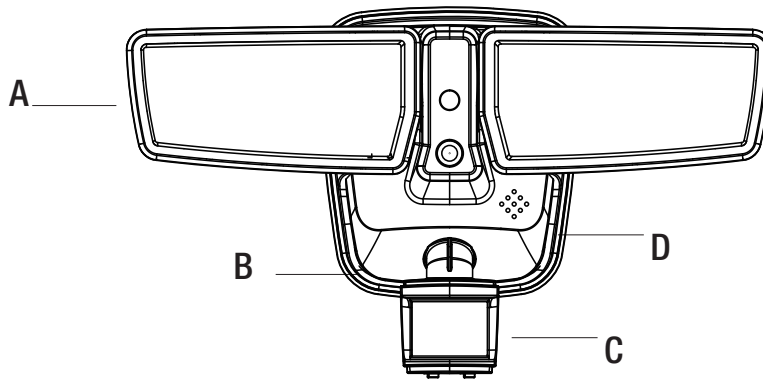


NOTE: Hardware shown to actual size.



Part	Description	Quantity
AA	Plastic plug	4
BB	Mounting bracket screw	4
CC	Anchor	4
DD	Small mounting bolt	4
EE	Large mounting bolt (pre-installed)	1

## PACKAGE CONTENTS



Part	Description	Quantity
A	Lamp head	2
B	Light fixture	1
C	Motion sensor	1
D	Rear Housing Cover	1

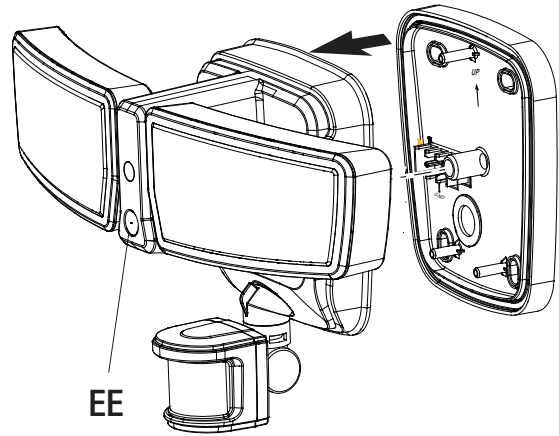
# Installation

## 1 Removing the rear housing cover

- Unscrew the large mounting bolt (EE) connecting the light fixture (B) to the rear housing cover and remove the rear housing cover.

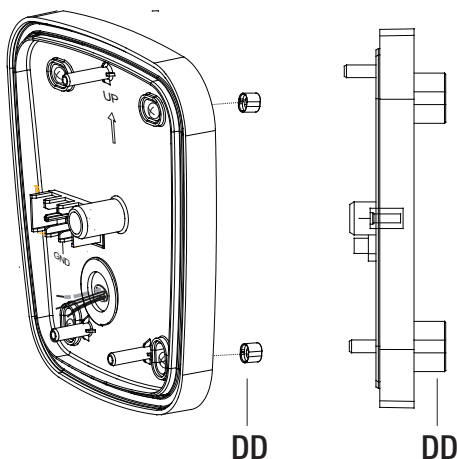


**NOTE:** A clear rubber gasket is pre-installed in the rear housing cover. Gasket is shown as black in illustrations for clarity.

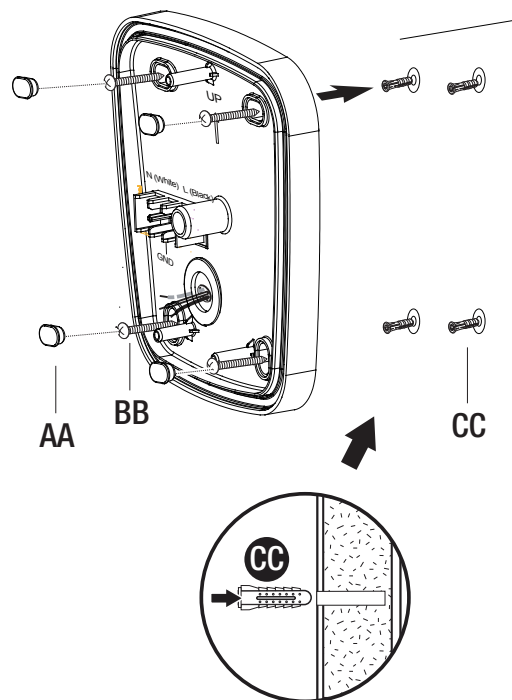


## 2 Installing the rear housing cover

- Route the electrical cables through a hole in the rear housing cover
- Place the rear housing cover against the wall.
  - When mounting to a wall, the “UP” arrow must point upward.
- Insert the small mounting bolt (DD) through the rear housing cover hole located below the threaded hole.

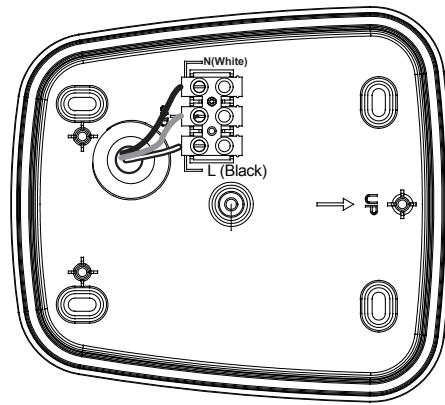


- In order to mount the rear housing cover (D), mounting holes must be drilled out. Place rear housing cover (D) over the mounting location and mark the center of the holes to be drilled into the mounting surface. Drill a pilot hole into the surface. For mounting to concrete or masonry, install the anchors (CC), by drilling two pilot holes and tap them into place so they are flush with the surface. Fasten rear housing cover (D) to mounting surface with mounting bracket screw (BB).
- Insert the plastic plug (AA) to the mounting bracket screw (BB).



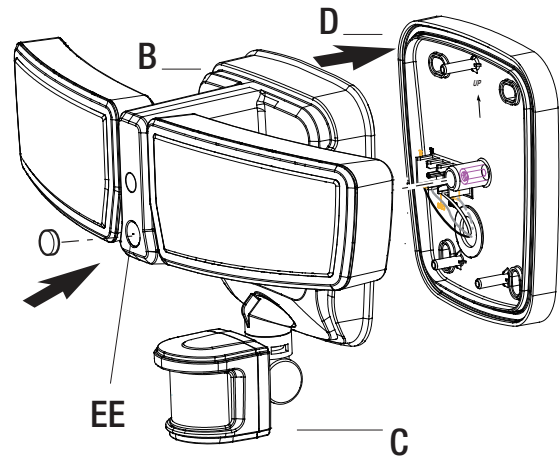
### 3 Making the electrical connections

- Insert electrical cables into the side of the terminal block
- Insert the blue cable into the terminal marked “N”.
- Insert the brown cable into the terminal marked “L”.
- Insert the green/yellow cable into the terminal marked “GND”.



### 4 Mounting the light fixture

- Verify the rubber gasket is properly seated around the edge of the rear housing cover (D)
- Align the bottom edge of the light fixture (B) with the bottom edge of the rear housing cover (D). Tilt the light fixture (B) toward the rear housing cover (D) making sure the light fixture (B) is centered on the rear housing cover (D)
- Tighten the large mounting bolt (EE) securely through the center of the rear housing cover (D). Do not overtighten.
- Push the plastic plug firmly into the mounting bolt hole on the light fixture (B).



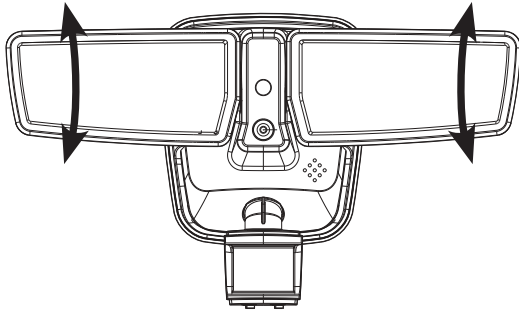
# Operation

## 1 Adjusting the lamp heads

- Turn the power on at the circuit breaker or fuse and turn on the wall switch.
- If needed, gently grasp the lamp heads (A) and tilt them up or down to adjust the light coverage area.



**NOTE:** The lamp heads are designed to rotate up and down only. Do not attempt to rotate any other direction.



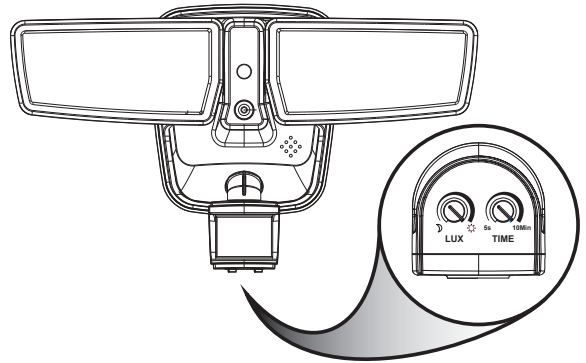
## 2 Rotating the sensor controls downward



**CAUTION:** To avoid water damage and risk of electrical shock, the motion sensor controls must be facing the ground when installation is complete.

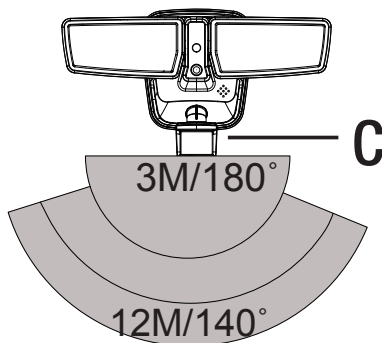
- Rotate the motion sensor (C) so the controls face toward the ground.

**NOTICE:** All clearances must be maintained.



## 3 Adjusting the motion sensor detection zone

- Perform a “walk test”: walk in an arc across the front of the motion sensor (C).
- Watch the light. The light will come on and the red LED will flash indicating motion has been detected.
- Stop, wait for the light to turn off, and then begin walking again.
- Continue this process until the detection zone has been established.
- If needed, gently grasp the motion sensor (C) and move it from side to side or up and down to adjust the detection zone.



## 4 Setting the sensor head switch

- ☾ \* Dusk Level setting

This is the setting on the left as shown on the Diagram 1. It is used to control the desired ambient light level for the Motion Security Light to trigger and turn on. You can set the light to turn on only in darkness by turning the setting fully counter-clockwise ☾, or allow the security light to trigger even during daylight by turning the setting fully clockwise ☀, or at any ambient light level in between.

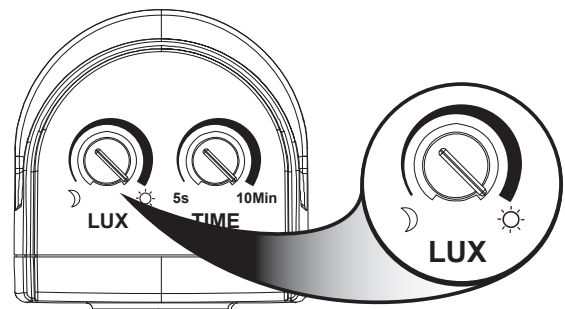
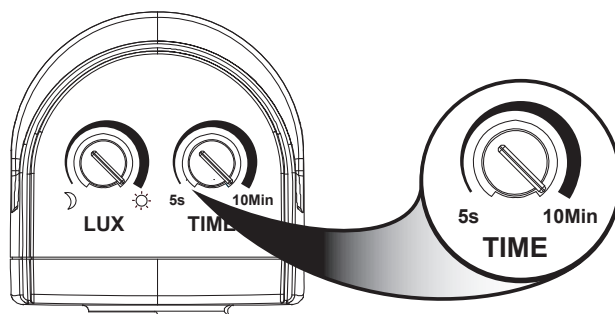


Diagram 1

### 5 Setting the sensor head switch

□ - ○ + **Time setting**

This is the setting on the right as shown on the Diagram 1 . It is used to control the time span which the light is on when motion is detected. You can turn the light off by turning the setting fully counter-clockwise or set the time span between 5 seconds to maximum 10 minutes by turning the setting clockwise. The security light will stay on as long as motion is detected and will go off after the time span you set after no motion is detected.



### 6 Using override mode

- Using auto override: You can also turn the lights on should be from the wall switch by turning it off/on/off/on within 3 seconds. The light will stay on all night and will turn off automatically at dawn and reset back to security mode for the next morning.

### 7 Troubleshooting notes

Problem	Solution
Lamp stay off	Check the power it is switched on at the fuse panel circuit breaker and at the wall switch.
Lamp flashing	Cover PIR lens with black cloth/aluminum foil paper, if the lamp function is normal, then check following
	1. check any heat around the detection area
	2. check the PIR sensor facing any tree
	3. check the PIR sensor facing any fan or air conditioner
PIR sensor will not activate during daytime	Adjust the Dusk level control to daytime ( fully clockwise)

# CHALLENGER

YOUR PARTNER IN A MORE SECURE FUTURE

**Challenger security products**

**10 sandersons way**

**Marton**

**Blackpool**

**FY44NB**

**Enquiries:challenger@adivision.co.uk.**

**Tel:01253791887**

