

CHALLENGER

Maintenance-Free Rechargeable Sealed Lead-Acid Battery

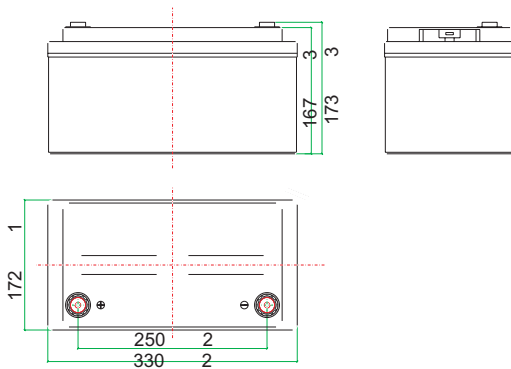
AA68

(12V65AH)

Specification



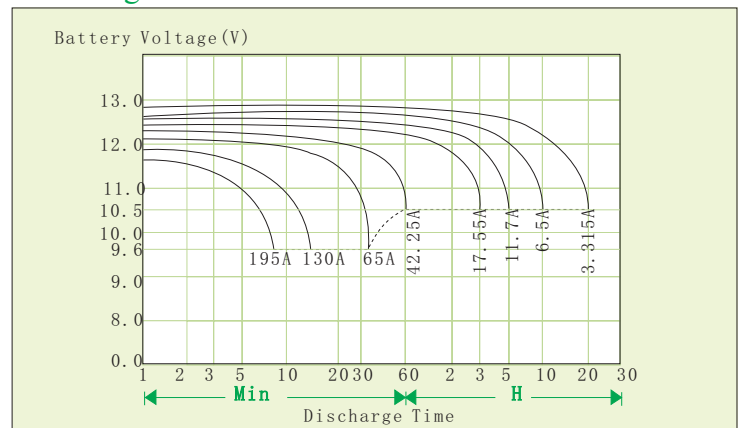
Dimensions(mm)



| | | |
|------------------------|-----------------------------|--------------|
| Nominal voltage | | 12V |
| Rated Capacity (10 HR) | | 65AH |
| Approx Weight | | 20.3kg |
| Terminal | Standard | I3-M8 Insert |
| | Optional | |
| Operation Temperature | | |
| Charge | 0°C (32°F) ~ 40°C (104°F) | |
| Discharge | -20°C (-4°F) ~ 50°C (122°F) | |
| Storage | -20°C (-4°F) ~ 40°C (104°F) | |

| | | |
|---|-------------------------|--|
| Capacity 25°C (77°F) | 20 hour rate (3.315A) | 66.3AH |
| | 10 hour rate (6.5A) | 65AH |
| | 5 hour rate (11.7A) | 58.5AH |
| | 1 hour rate (42.25A) | 42.25AH |
| Capacity affected by temperature | 40°C (104°F) | 103% |
| | 25°C (77°F) | 100% |
| | 0°C (32°F) | 86% |
| | -15°C (5°F) | 65% |
| Self-discharge at 25°C (77°F) (Before recharge) | Capacity after 3 month | 91% |
| | Capacity after 6 month | 82% |
| | Capacity after 12 month | 64% |
| Constant voltage charge | Cycle | Initial Charging Current ≤ 19.5A 14.4V ~ 15V at 25°C (77°F) |
| | Standby | 13.5V ~ 13.8V at 25°C (77°F) |
| Max discharge current for 5 | | 975A |

Discharge characteristic



Note: Discharge shall be cut-off at 10.5V if discharge at $< 1C_A$ and at 9.6V if at $\geq 1C_A$

It is recommended to recharge battery by constant-voltage charge immediately after use

Constant current (Amp) and Constant Power (Watt) Discharge Table at 25°C (77°F)

| Final voltage | Time (min) | 5 | 10 | 15 | 20 | 30 | 60 | 120 | 180 | 300 | 600 |
|---------------|------------|---------|---------|---------|--------|--------|--------|--------|--------|--------|-------|
| | | 1.80VPC | A | 236.38 | 159.04 | 110.48 | 85.81 | 70.67 | 43.81 | 25.33 | 17.52 |
| | W | 2482.00 | 1670.00 | 1160.00 | 901.00 | 742.00 | 460.00 | 266.00 | 184.00 | 128.00 | 68.00 |
| 1.75VPC | A | 236.85 | 159.80 | 110.86 | 86.09 | 70.95 | 44.09 | 25.52 | 17.71 | 12.38 | 6.71 |
| | W | 2487.00 | 1678.00 | 1164.00 | 904.00 | 745.00 | 463.00 | 268.00 | 186.00 | 130.00 | 70.50 |
| 1.70VPC | A | 237.33 | 160.19 | 111.14 | 86.38 | 71.23 | 44.28 | 26.00 | 18.00 | 12.67 | 7.00 |
| | W | 2492.00 | 1682.00 | 1167.00 | 907.00 | 748.00 | 465.00 | 273.00 | 189.00 | 133.00 | 73.50 |
| 1.65VPC | A | 237.50 | 160.38 | 111.33 | 86.57 | 71.43 | 44.48 | 26.10 | 18.19 | 12.76 | 7.10 |
| | W | 2494.00 | 1684.00 | 1169.00 | 909.00 | 750.00 | 467.00 | 274.00 | 191.00 | 134.00 | 74.50 |
| 1.60VPC | A | 237.71 | 160.48 | 111.43 | 86.67 | 71.52 | 44.57 | 26.19 | 18.28 | 12.85 | 7.14 |
| | W | 2496.00 | 1685.00 | 1170.00 | 910.00 | 751.00 | 468.00 | 275.00 | 192.00 | 135.00 | 75.00 |