



INSTALLATION INSTRUCTION

MODELS: SLFLED10; SLFLED30; SLFLED50

IMPORTANT NOTE: Installation must be performed by a skilled/competent electrician who is familiar with the appropriate standards and technical requirements of the appliance and its proper installation.

Never modify the unit as there are no user serviceable parts inside. Not suitable for use with dimmer switches.

Install in accordance with IEC Wiring Regulations.

- Read these instructions carefully before attempting to install fitting. Retain instruction for future reference.
- Disconnect the mains supply before installing or servicing.
- All wiring should be performed by a qualified electrician. This fixture is for outdoor use and should not be used in areas with limited ventilation or high ambient temperatures.

POSITIONING THE UNIT

When selecting the mounting position, take the following points into account:

The sensor is designed for optimum performance when mounted 1.8-2.5 meters above ground level.

Avoid positioning close to trees or shrubs which may cause false triggering during wet, windy weather.

Avoid pointing at or positioning close to heat sources such as flues or heat extraction units, which may cause false triggering.

Avoid pointing at bright lights as unit will not function when you set day/night control level to dark (L position)

Avoid mounting close to strong electromagnetic fields, which may cause false triggering.

The sensor is most sensitive to movement across the detection area as opposed to directly towards or away from the unit. Position the sensor so movement is across the sensor (See Fig 2)

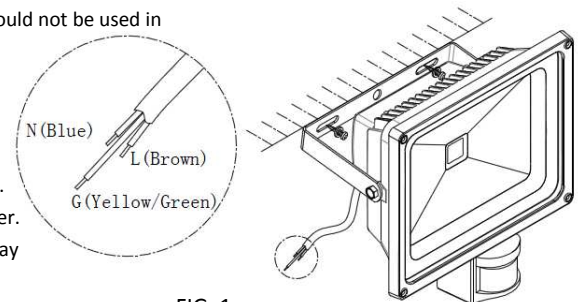


FIG. 1

INSTALLATION-Surface Mounting

1. Do not remove any part of the fixture.
2. Mount the fitting at a height between 1.8m-2.5m metres (see Fig.2).
3. Use expansion bolts to secure the fixture on mounting surface
The sensor should be pointing downwards. (See Fig.1)

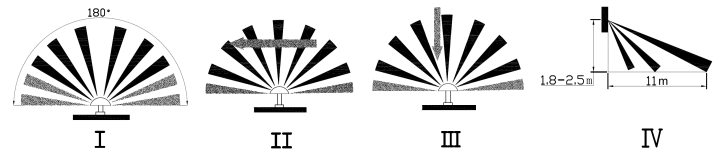


FIG. 2

4. Keep enough slack on the cable from the fittings to allow for the fitting to be adjusted On the bracket angle unhindered.
5. Connect the cable wires into terminal; Blue wire to "Neutral" terminal, Brown wire to "Live" terminal, Yellow / green wire to "Earth" terminal.
6. Any external connections need to be made in a suitable IP rated enclosure, preferably with cable entry at the bottom.

Test:

1. After installation, please turn anti-clockwise the time adjuster (No:2 see Fig 3) to minimum and turn clockwise the day/night adjuster (No:3 see Fig 3) to day setting before you switch on the mains supply.
2. Switch on the mains supply and the light should come on after 30sec warm up period.
3. Walk test the sensor, the sensor is more sensitive to movement across the detection area as opposed to directly towards or away from the unit (See Fig 2).
4. Your floodlight is now ready to work. You can now adjust the period of time and ambient-light level that light will be operational.

PIR Specification

Detection: 180°

Range: 2-12m

Operating temp: -10c° - +40c°

Installation Height: 1.8m – 2.5m

Time: 5 seconds – 6 minutes

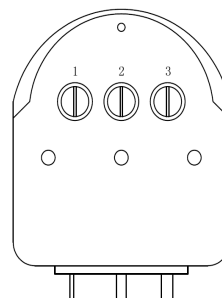


FIG. 3

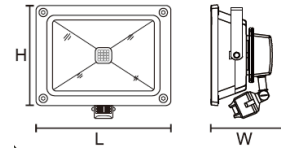
Model	Voltage	Power Factor	Rated Wattage	Input Current	Hole Size	Interval Space	Centre Hole Size	Lumen Output	IP Rating	Dimensions of Fitting
SLFLED10	100-240VAC	≥0.75	13W	0.15A	6.0x11.5mm	59.0mm	10.5mm	700LM	IP44	L115*W89*H87mm
SLFLED30		≥0.9	36W	0.35A	10.0x19.5mm	139.0mm	13.0mm	2400LM	IP44	L225*W128*H185mm
SLFLED50		≥0.9	55W	0.55A	10.0x34.0mm	161.0mm	13.0mm	3500LM	IP44	L285*W143*H235mm



SLFLED10



SLFLED30
SLFLED50



Due to our policy of continuous improvement we reserve the right to change specification without prior notice. Errors and omissions excepted. These instructions have been carefully checked prior to publication. However, no responsibility can be accepted by Challenger for any misinterpretation of these instructions.

CHALLENGER SECURITY PRODUCTS

10 Sandersons Way, Marton,
Blackpool, FY4 4NB

Tel: 01253 791888, Fax: 01253 791887

Email: enquiries.challenger@adivision.co.uk

Web: www.challenger.co.uk

