

Magnetic Lock Wiring Lock Wiring Instructions

A. 12VDC Input:

Required power 0.5 Amp(Maximum) .

Connect the ground (-) lead from a 12VDC power source to terminal 2.

Connect the positive (+) lead from a 12VDC power source to terminal 1.

Check jumper for 12VDC operation.

B. 24VDC Input:

Required power 0.25 Amp(Maximum) .

Connect the ground (-) lead from a 24VDC power source to terminal 2.

Connect the positive (+) lead from a 24VDC power source to terminal 1.

Check jumper for 24VDC operation.

C. Contacts:

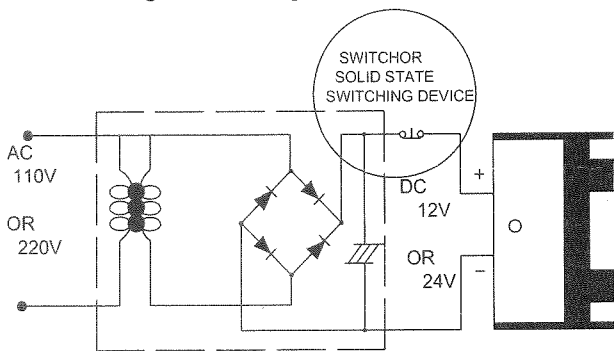
the relay dry contacts are rated 1 Amp at 24vdc for safe operation,do not exceed this rating

If you requit a normally open switch,connect the wires from the system to terminal 4 and terminal 3.

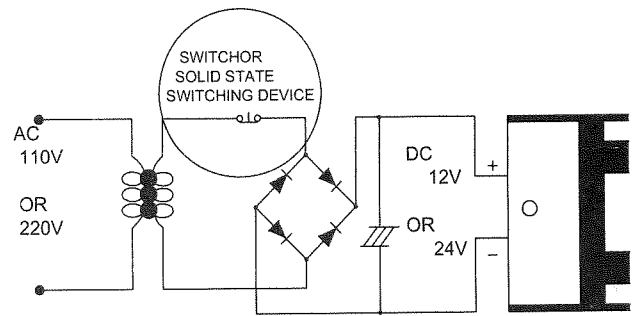
If you requit a normally closed switch,connect the wires from the system to terminal 4 and terminal 5.

Important!

- 1.The product should only be powered by a UL listed power supply
2. If power switch is not wirech between DC source voltage and magnet, it will take a longer time to de-energize the magnet simulating residual magnetism.(see below)

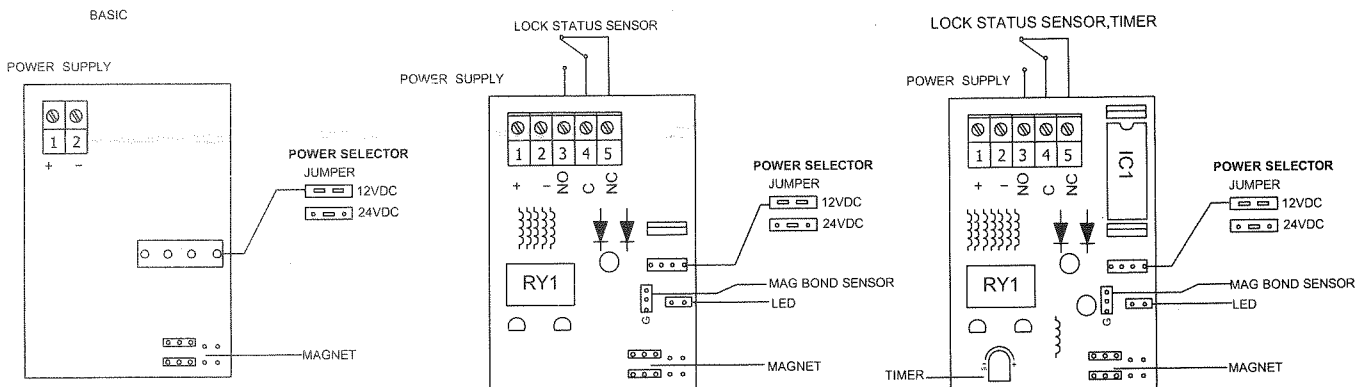


Correct



Incorrect

Printed Circuit Board Schematic

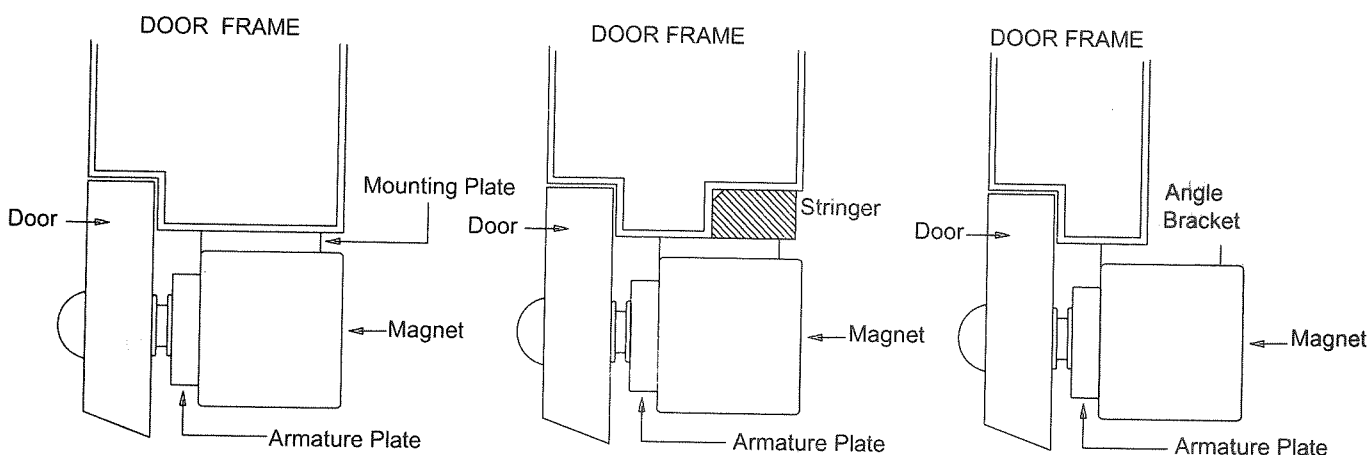


Instructions For Magnetic Locking Devices

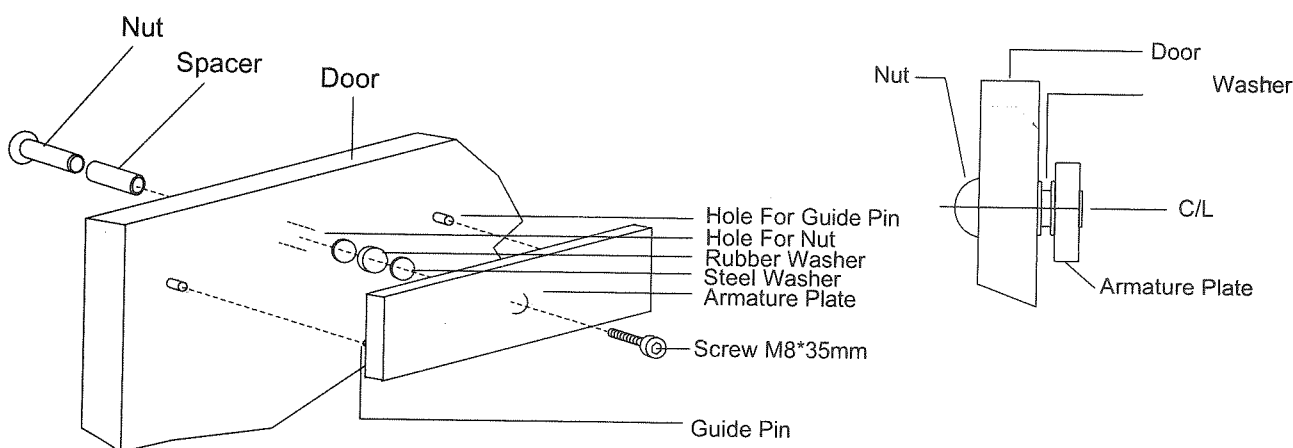
Important: Please Read Before Attempting To Install Magnetic Lock

- A. Handle the equipment with care, damaging the mating surfaces of the magnet or armature plate may reduce locking efficiency.
- B. The magnet mounts rigidly to the door frame. the armature plate mounts to the door with hardware .kit provided that allows it to pivot about its center to compensate for door wear and misalignment.
- C. Template use must take place with the door in its normally closed position.
- D. Before installing, please add the thread locker to all screws. firmly tighten the screws to avoid fastening loosen.

Typical Installation



Armature Plate Mounts To The Door



****Important :** Fix the armature plate not too tightly and make the rubber washer more flexible in order to make the armature plate automatically adjust its proper position with the magnet.