

CHALLENGER

AB1000WBX

YOUR PARTNER IN A MORE SECURE FUTURE

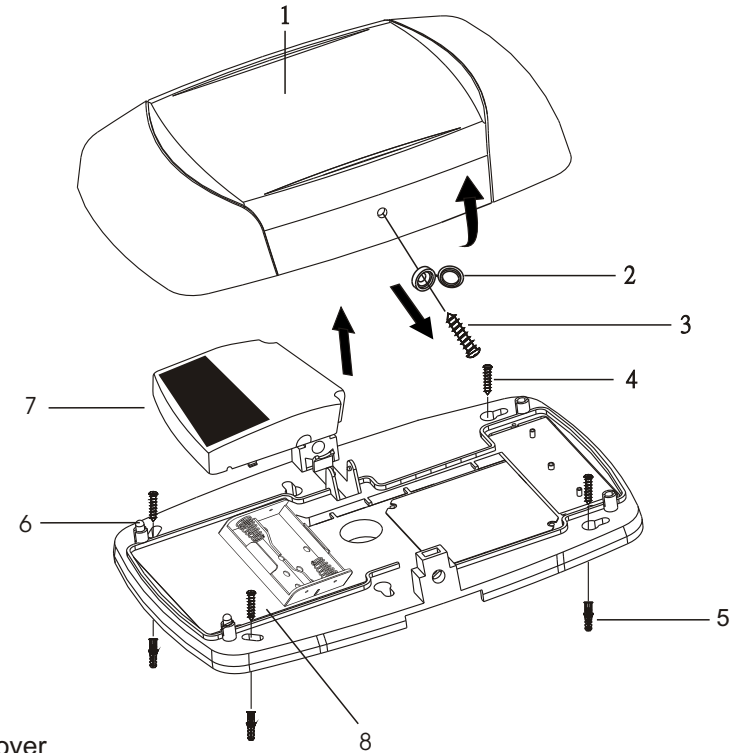
Installation Manual



Challenger Security Products
Sandersons Way
Marton
Blackpool
FY4 4NB

(Please read the instructions prior to installation)

➤ **Introduction:**



1. Cover
2. Screw Cover/ Lens
3. External Screw (Security For Tamper Switch)
4. Mounting Screw (not supplied)
5. Raw plugs (not supplied)
6. Red LED Indicator
7. PCB Protection Cover
8. Requires 2 x c cell batteries (not supplied)

➤ **Specification:**

1. Supply : Printed Circuit Board
2. Quiescent Current : 0.6mA
3. IP Standard : IP54
4. Ambient Storage Temperature : -20 ~ +70°C
Ambient Operation Temperature : -0 ~ +40°C
5. Dimension : 194(W) x 300(H) x 59(D)mm
6. Weight : 634g